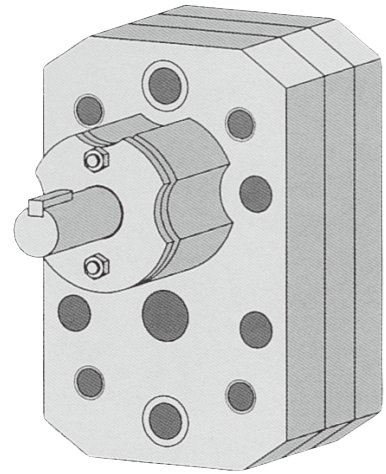


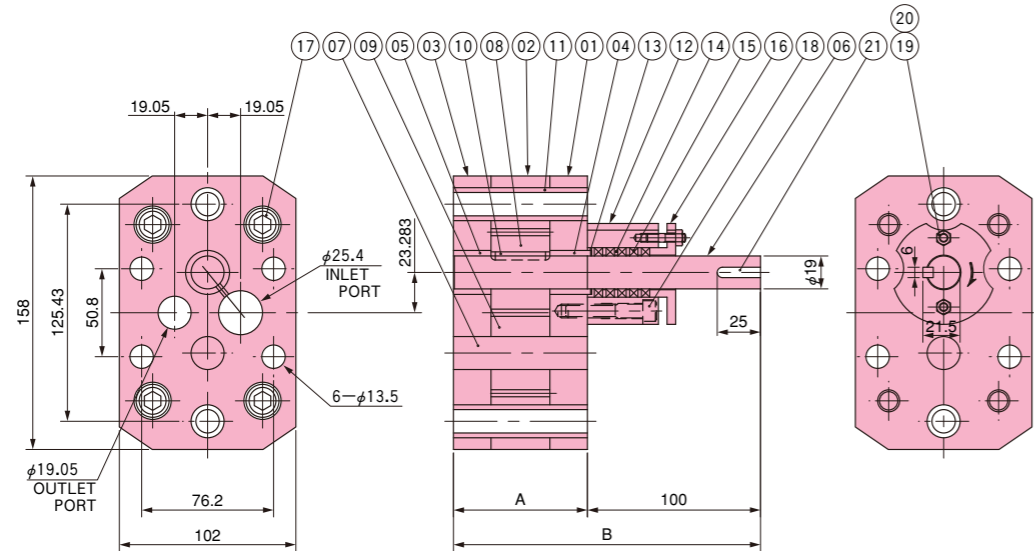
GDR SERIES



Main application : Miscellaneous, corrosive liquid
 Number of ports : Inlet 1 ; Outlet 1
 Displacement / port : 10 ~ 20 cm³
 Inlet pressure : 0.1 MPa ~ 2 MPa (1 kgf/cm² ~ 20 kgf/cm²)
 Outlet pressure : Max. 6.9 MPa (Max. 70 kgf/cm²)
 Differential pressure : Please refer to table as shown below.
 Temperature : Max. 120 °C
 Viscosity : Max. 100 Pa·s (Max. 1,000 Poise)
 Speed : 10 ~ 60 min⁻¹
 Standard material : Special corrosion-wear-resistant material
 Torque list :

	Bolt size	Torque	
		N·m	kgf·cm
For plates	1/2"–13 UNC(SUS304)	54 ~58.9	550~600
For hub	5/16"–18 UNC(SUS304)	10.8~12.3	110~125
For mounting	M12(SUS304)	44.1~47.1	450~480

STRUCTURE DIMENSIONS (mm)



Model	Capacity (cm ³)	Diff. Press.		A	B	Mass (kg)
		MPa	kgf/cm ²			
GDR-10	10	4.9	50	60.4	160.4	7.6
GDR-15	15	4.9	50	69	169	8.8
GDR-20	20	4.9	50	77.4	177.4	9.9

Parts List

Parts No.	Name	Q'ty/set
01	Front plate	1
02	Gear casing	1
03	Back plate	1
04	Bushing	1
05	Bushing	1
06	Arbor	1
07	Stud	1
08	Driving gear	1
09	Driven gear	1
10	Key	1
11	Dowel	2
12	Hub	1
13	Spacer	1
14	Spacer	4
15	Gland packing	1
16	Retainer	1
17	Plate screw	4
18	Hub screw	4
19	Bolt	2
20	Nut	2
21	Key	1

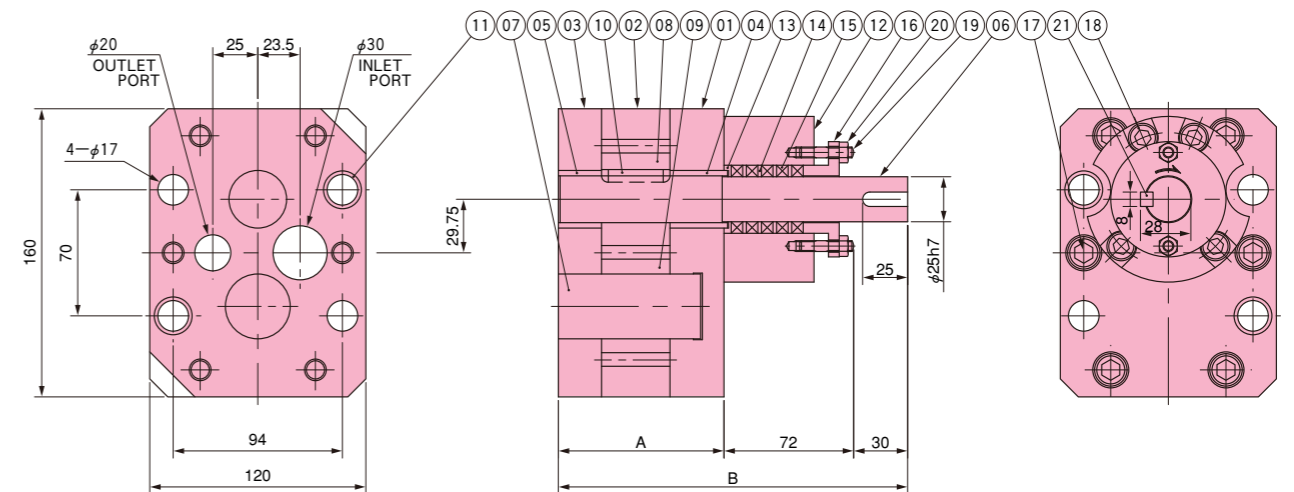
KFS SERIES



Main application : Miscellaneous, corrosive liquid
 Number of ports : Inlet 1 ; Outlet 1
 Displacement / port : 30 ~ 100 cm³
 Inlet pressure : 0.1 MPa ~ 2 MPa (1 kgf/cm² ~ 20 kgf/cm²)
 Outlet pressure : Max. 9.8 MPa (Max. 100 kgf/cm²)
 Differential pressure : Please refer to table as shown below.
 Temperature : Max. 120 °C
 Viscosity : Max. 100 Pa·s (Max. 1,000 Poise)
 Speed : 10 ~ 60 min⁻¹
 Standard material : Special corrosion-wear-resistant material
 Torque list :

	Bolt size	Torque	
		N·m	kgf·cm
For plates	M12(SUS304)	44.1~ 47.1	450~ 480
For hub	M10(SUS304)	24.5~ 27	250~ 275
For mounting	M16(SUS304)	112.8~122.6	1,150~1,250

STRUCTURE DIMENSIONS (mm)



Model	Capacity (cm ³)	Diff. Press.		A	B	Mass (kg)
		MPa	kgf/cm ²			
KFS-30	30	6.9	70	76.5	178.5	11.8
KFS-40	40	6.9	70	84	186	12.9
KFS-50	50	6.9	70	92	194	14.1
KFS-60	60	6.9	70	99	201	15.2
KFS-80	80	4.9	50	114.4	216.4	17.6
KFS-100	100	4.9	50	129.5	231.5	19.9

Parts List

Parts No.	Name	Q'ty/set
01	Front plate	1
02	Gear casing	1
03	Back plate	1
04	Bushing	1
05	Bushing	1
06	Arbor	1
07	Stud	1
08	Driving gear	1
09	Driven gear	1
10	Key	1
11	Dowel	2
12	Hub	1
13	Spacer	1
14	Spacer	4
15	Gland packing	1
16	Retainer	1
17	Plate screw	6
18	Hub screw	4
19	Bolt	2
20	Nut	2
21	Key	1