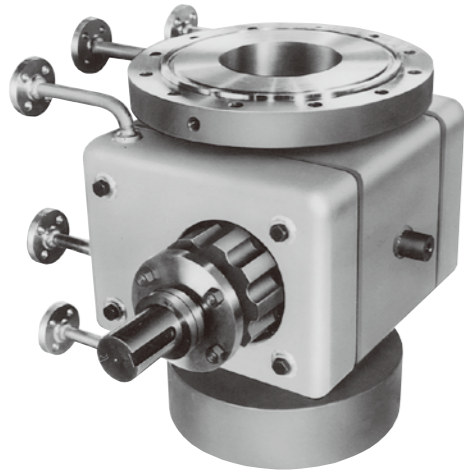


# HT SERIES

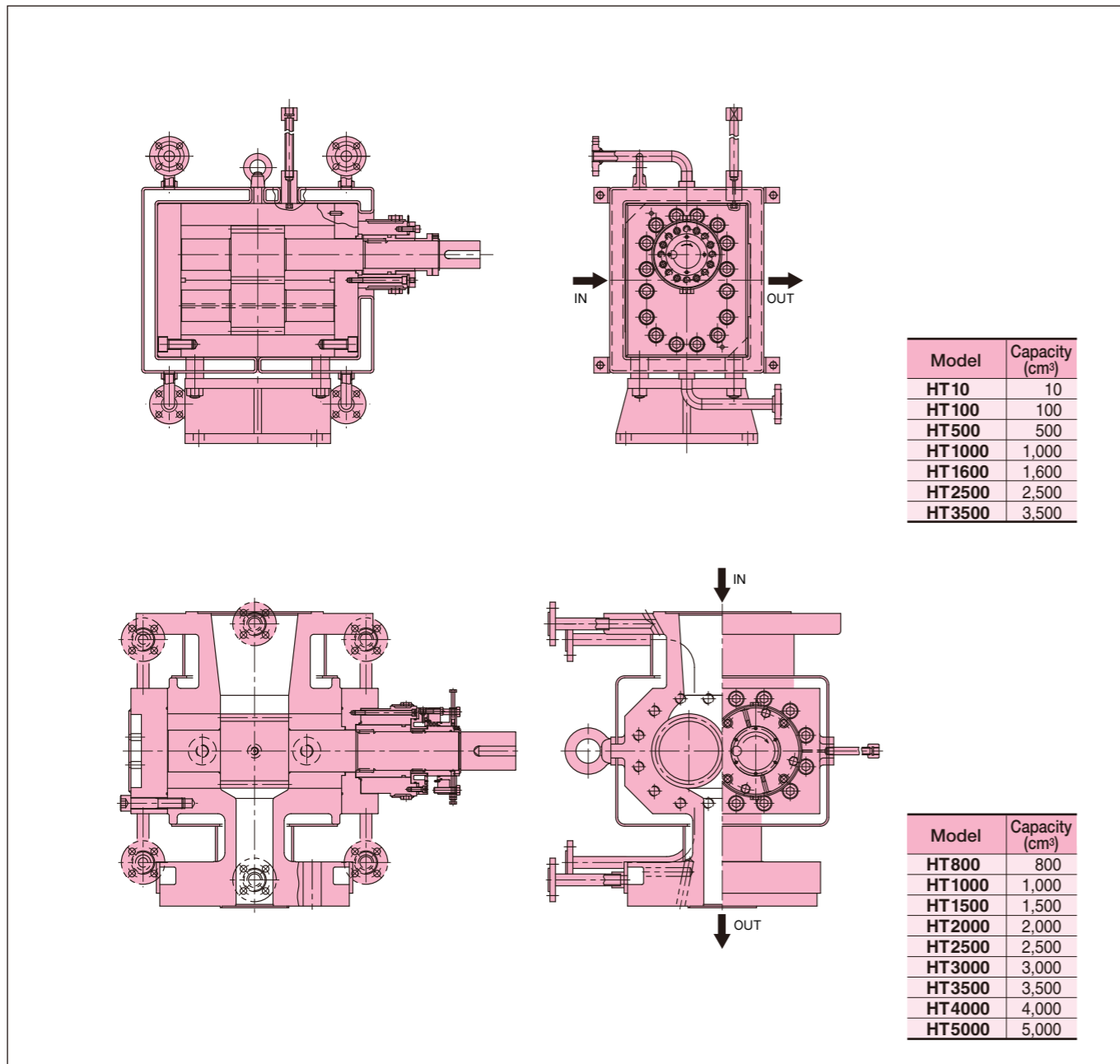


Main application : Vacuum discharge, polycondensation  
 Number of ports : Inlet 1 ; Outlet 1  
 Displacement / port : 10 ~ 5,000 cm<sup>3</sup>  
 Inlet pressure : 0 MPa ~ 4.9 MPa (0 kgf/cm<sup>2</sup> ~ 50 kgf/cm<sup>2</sup>)  
 Outlet pressure : Max. 29.4 MPa (Max. 300 kgf/cm<sup>2</sup>)  
 Differential pressure : Max. 24.7 MPa (Max. 250 kgf/cm<sup>2</sup>)  
 Temperature : Max. 350 °C  
 Viscosity : Max. 10,000 Pa·s (Max. 100,000 Poise)  
 Speed : 10 ~ 40 min<sup>-1</sup>  
 Standard material : Alloy tool steel

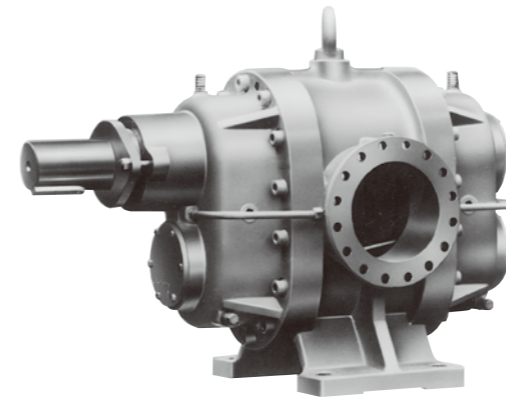
Torque list :

Bolt size	Torque		Bolt size	Torque	
	N·m	kgf·m		N·m	kgf·m
M8	24.5 ~ 27.5	2.5 ~ 2.8	M20	382 ~ 412	39 ~ 42
M10	49.0 ~ 53.9	5.0 ~ 5.5	M24	677 ~ 686	69 ~ 70
M12	88.3 ~ 94.1	9.0 ~ 9.6	M30	1,275 ~ 1,285	130 ~ 131
M16	225 ~ 245	23 ~ 25	M33	1,470 ~ 1,480	150 ~ 151

## STRUCTURE DIMENSIONS (mm)



# B SERIES



Main application : Pumping chemical fiber undiluted solution  
 Number of ports : Inlet 1 ; Outlet 1  
 Displacement / port : 300 ~ 40,000 cm<sup>3</sup>  
 Inlet pressure : 0 MPa ~ 0.49 MPa (0 kgf/cm<sup>2</sup> ~ 5 kgf/cm<sup>2</sup>)  
 Outlet pressure : Max. 4.9 MPa (Max. 50 kgf/cm<sup>2</sup>)  
 Differential pressure : Max. 4.9 MPa (Max. 50 kgf/cm<sup>2</sup>)  
 Temperature : Max. 120 °C  
 Viscosity : Max. 200 Pa·s (Max. 2,000 Poise)  
 Speed : Max. 80 min<sup>-1</sup>  
 Standard material : Stainless steel

Torque list :

Bolt size	Torque		Bolt size	Torque	
	N·m	kgf·m		N·m	kgf·m
M8	24.5 ~ 27.5	2.5 ~ 2.8	M20	382 ~ 412	39 ~ 42
M10	49.0 ~ 53.9	5.0 ~ 5.5	M24	677 ~ 686	69 ~ 70
M12	88.3 ~ 94.1	9.0 ~ 9.6	M30	1,275 ~ 1,285	130 ~ 131
M16	225 ~ 245	23 ~ 25			

## STRUCTURE DIMENSIONS (mm)

